

# ApeosPort-V 4020

Leveraging high functionality to finish work more quickly.





## Leverage the superior operability of multifunction devices. Introducing a high-speed, A4 monochrome device.

ApeosPort-V 4020. Our first A4 monochrome digital multifunction device.

Compact, feature rich and highly functional, this new device delivers excellent image quality, outstanding productivity and easy access via mobile devices and the Cloud.

A versatile monochrome device with full-colour scanning capability.

ApeosPort-V 4020 is ideal for meeting rooms and reception areas, and fits a variety of environments such as medical or educational institutions.

**Copy Print** B / W : 45 ppm

**Scan** B / W : 40 ppm  
Colour : 20 ppm

**Fax** Max size : A4,  
Super G3



Printing Resolution  
1200 dpi × 1200 dpi

# ApeosPort-V 4020

# Compact

## Highly functional multifunction device

The compact body belies the many functions that support copying, printing, faxing and scanning. A wise choice when a highly functional multifunction device is required for SOHOs and shops.

# Flexible

## Flexible placement options

ApeosPort-V 4020 boasts many of the same functions found on A3 multifunction devices. It complements existing devices, allowing you to install it where it can maximize office efficiency based on expected document sizes, output volumes and usage.

# Smart

## Mobile and cloud connectivity

Support for mobile devices and the Cloud facilitate Input/output, providing easy access in and outside the office.

## Compact

### User-friendly

Easily viewable, tiltable 7-inch touch panel.

### High-visibility output tray

Printouts are readily recognisable on the blue tray, serving as a reminder to collect finished documents on a timely basis.

### Effortless postcard printing

Bypass tray allows easy printing of coloured paper and postcards.

### High-volume printing

Efficiently handle large-volume print jobs of up to 550 sheets using one compact device.

### Quick, high-volume scanning

60-sheet document feeder offers easy scanning of multi-page documents.



Height: 577 mm

### Compact footprint

Space-saving design lets you install the device anywhere to optimize office workflows.

Depth: 541 mm

Width: 560 mm

# More features, simplified operation.



## Easy Fingertip Control.

The new ApeosPort-V 4020 takes advantage of technology seen in smartphones and tablets by enabling users to operate the devices intuitively, for faster and more efficient production. Four different gestures – tap, double-tap, drag and flick – can be used to scroll and switch functions smoothly and quickly.

## Making multifunction devices easier to use

### Various File Formats and Processing Supported

Users can convert scanned documents and data to numerous file formats including TIFF, JPEG, DocuWorks document, PDF and XPS\* before you send them by email. OCR processing can assist in searching for and compressing documents to reduce their size for e-mail communications, and password settings can also be set.

\* Stands for XML Paper Specification

### Save/Print Using a USB Memory

You can save scanned data directly into the USB memory, and print documents and captured records directly from the USB memory.



### A wide variety of choice to suit your needs

Paper trays can be added\* depending on how much amount to be printed. A cabinet is also available for stand-alone use to house consumables such as paper and toners.

\* Three trays can be added. The device can hold maximum of four trays. A cabinet is available when there are two trays or less.

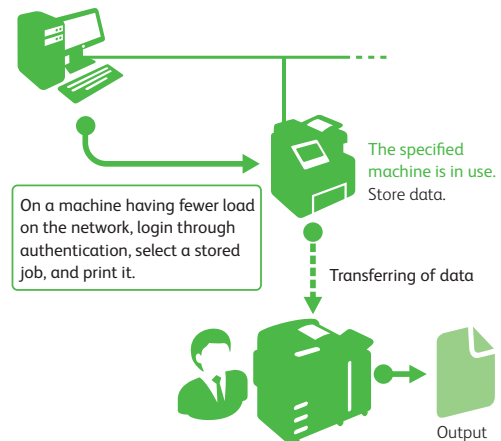


## Flexible

### Printable from Any Device on Demand

With "Server-less On-demand Print\*\*", even if your selected device is in use, you can print using any other device on the network. No dedicated server is required. This useful function is available for up to five devices. When A3 and A4 MFPs are used together, an A4 MFP processes an A3 print job by reducing the image size from A3 to A4.

\*\* Optional.



### Linkage with Remote Authentication Servers

ApeosPort is capable to perform authentication management with user account information from authentication server. This reduces administrative burden without requiring administrators to configure authentication settings for each machine. Available services and colours can be restricted on a user basis. By adding a built-in IC Card Reader\* to the device, IC Card authentication can be used.

\*Optional.



Built-in IC Card Reader



# Fax more effectively.

## Leverage of Timely Information with Paperless Fax

[Receiving]

Received fax documents can be sorted into different device folders by dial number or G3ID. After viewing the thumbnails, users can choose to print only designated documents. As soon as fax documents are received in a folder, they can also be sent as a fax, printed, sent as an e-mail, transferred via FTP, and transferred via SMB automatically.

[Sending]

Direct Fax (sending fax directly from PC) can also be used. Sent fax documents can also be saved as PDF and sent as e-mail attachments.

[Reject]

Allows administrators to block incoming faxes from certain numbers and anonymous numbers.

## Dependability to ensure error-free faxing

- Re-entry of recipients
- Recipient confirmation display
- Confirm multiple recipients, delete unwanted recipients
- Prohibit sending to recipients not in the phonebook
- Manually cancel direct fax
- Manual redial

# Environmentally responsible.

## Visualise eco-friendly operation

Check the degree of eco-friendliness when printing via a five-step scale. The more leaves shown, the more eco-friendly the operation.

\* Requires Document Monitor to be installed on PC. (Software included on bundled DVD.)



## EA-Eco Toner

This Emulsion Aggregation (EA) Ultra Low-Melt toner achieves a fusing temperature more than 20°C lower than conventional EA toner, reducing power consumption during fusion, as well as achieving a brilliant glossy output even on ordinary paper.

## Remote Power Off

Devices located at a distance may be switched off remotely via PC. In large facilities such as a campus or factory building, this function can reduce the time and labour required to operate remotely located devices.

# Mobile and Cloud applications

## Google Cloud Print™

ApeosPort-V 4020 Works with Google Cloud Print™, so you can print on the go from your smartphone or computer using Google Cloud Print enabled apps.

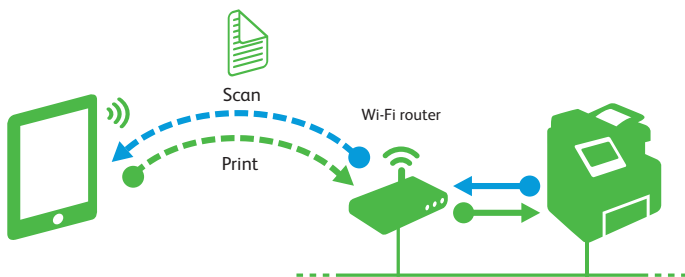


## Print Utility for iOS / Android

Scan documents and save to iOS or Android devices via wireless LAN, and output web pages and pictures from the devices.

\* Print Utility for iOS and Print Utility for Android can be downloaded for free from App Store and Google Play™, respectively.

\* DocuWorks documents and PDF documents can also be output by linking with DocuWorks Viewer Light for iPhone/iPad.



# Smart

## AirPrint

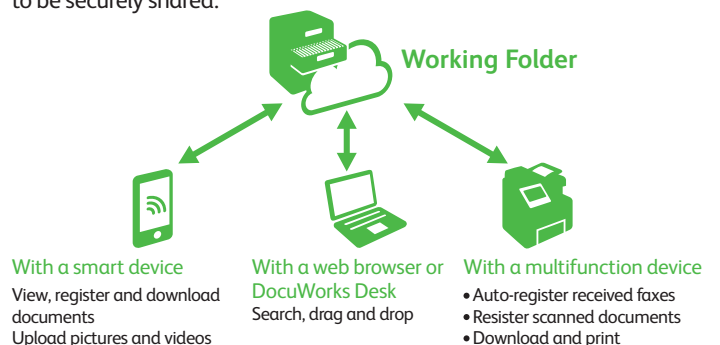
Print directly from an iOS device via wireless LAN. This eliminates the need to open data on a PC, download special software, or install a dedicated driver.



\* AirPrint is a standard print function included in iOS on iPhones and iPads.

## Working Folder

Store scanned documents directly to Working Folder, automatically upload received faxes and send upload notifications by e-mail. Stored documents can be viewed and edited on PCs or smart devices using a web browser or DocuWorks. The enhanced security and management functions allow all information to be securely shared.



\*This function requires the Working Folder Service contract.

# Productivity Applications

## PC-less reporting from work sites

Register settings such as “Scan and send document to headquarters” to quickly send handwritten reports. This improves managerial efficiency without adding to the workload of employees at a remote job site.



## Improved communication between branches

### Sharing via the Cloud

Use Working Folder to store scanned documents on ApeosPort-V 4020 for subsequent download and/or output to other devices. Enhanced security and management functions allow safe usage in networks with questionable security.

### Support for Apeos iiX

Fuji Xerox's unique framework, Apeos iiX, enables seamless operation with the main system. ApeosPort's control panel can display the operation screen of the main system.

## Smooth, counter-based customer service

ApeosPort-V 4020 fits in easily at service counters. Customers can be serviced without having to leave the counter to retrieve printouts.



## Convenient counter-based services

### ID card copy

Both sides of a card can be copied onto one side of a sheet of paper. So, you can see all the ID card information at a glance.

### Seated operation

A desk-side device provides copy and print while customers are serviced over the counter.

\* The photo is of the standard model with an optional “Stand Skateboard”.



## Efficiently combining A4 and A3 devices

Suitable for small offices or departments with light output requirements, ApeosPort-V 4020 can also be integrated into a Server-less Ondemand printing environment with functions and interface similar to A3 devices. This lets you optimise office operations depending on space, volume and paper size.



## Well suited for company-wide use

### Control panel matches those of A3 devices

ApeosPort-V 4020 is equipped with a 7-inch control panel that is easy to use and view. This ensures a familiar interface throughout the office.

### Device Log Service

Device usage data can be monitored using web browsers. The data can be managed graphically according to user or division.

\* This function requires the Device Log Service contract.



# Specifications of ApeosPort-V 4020

## Basic Specifications / Copy Function

Item	Description	
Type	Desktop	
Memory Capacity	4 GB (Max 4 GB)	
Hard Disk Capacity*1	320 GB or larger (Used space : 128 GB)	
Scan Resolution	600 x 400 dpi	
Printing Resolution	600 x 600 dpi, 2400 dpi or equivalent*2 x 600 dpi	
Warm-up Time	35 seconds or less, 18 seconds or less if the main power is on (At room temperature 23°C)	
Original Size	Maximum of Legal for both Sheet and Book	
Paper Size	Max	A4, Legal*3 [Legal When Using Bypass Tray]
	Min	A5 [Postcard (100 x 148mm), 3 x 5" (76 x 127 mm) When Using Bypass Tray]
Image loss width	Lead Edge 4.0 mm, Trail Edge 4.0 mm, Right & Left Edges 4.0 mm	
Paper Weight*4	Paper Tray	60 to 216 gsm
	Bypass Tray	60 to 216 gsm
First Copy Output Time	B / W : 5.0 sec.	
Continuous Copy Speed*5	A4	45 ppm
Paper Tray Capacity*6	Standard	550 sheets x 1-tray + Bypass Tray 150 sheets
	Optional	Sheet Feeder : 550 sheets
	Max	2350 sheets (Standard + Sheet Feeder + 3-tray)
Output Tray Capacity*6		250 sheets (A4)
Power Supply	AC220-240 V ±10%, 6 A, 50 / 60 Hz common	
Maximum Power Consumption	1.1 kW or less Sleep Mode : 1.3 W or less Low Power Mode : 19 W or less*7 Ready Mode : 82 W or less	
Dimensions	W 560 x D 541 x H 577 mm	
Weight*8	26 kg	

\*1 : Not all of the hard disk capacity is actually available for users. \*2 : When Image Enhancement processing is performed. \*3 : The tray should be extended when legal size paper is placed on it. \*4 : Use Fuji xerox recommended paper. Documents may not be printed correctly depending on usage conditions. \*5 : The speed may be reduced due to the image quality adjustment. \*6 : 80 gsm paper. \*7 : Low Power Mode is not set at the time of shipment from the factory. \*8 : Including Toner Cartridge.

## Print Function

Item	Description	
Type	Built-in type	
Continuous Print Speed*1	Same as the Basic Specifications / Copy Function	
Printing Resolution	1200 x 1200 dpi, 600 x 600 dpi	
Page Description Language	Standard	PCL5 / PCL6
	Optional	Adobe® PostScript® 3™
Operating System*2	PLC6-Driver (Standard)	Windows Server 2003 (32bit), Windows Vista (32bit), Windows Server 2008 (32bit), Windows 7 (32bit), Windows 8 (32bit), Windows 8.1 (32bit), Windows 10 (32bit), Windows Server 2003 (64bit), Windows Vista (64bit), Windows Server 2008 (64bit), Windows 7 (64bit), Windows Server 2008 R2 (64bit), Windows 8 (64bit), Windows Server 2012 (64bit), Windows 8.1 (64bit), Windows Server 2012 R2 (64bit), Windows 10 (64bit), Windows Server 2016 (64bit), Windows Server 2019 (64bit)
	Mac OS X-Driver (Standard)	macOS 10.14/10.13/10.12, OS X 10.11/10.10/10.9/10.8 Mac OS X 10.7/10.6/10.5
	Adobe® PostScript® 3™ Driver (Optional)	Windows Server 2003 (32bit), Windows Vista (32bit), Windows Server 2008 (32bit), Windows 7 (32bit), Windows 8 (32bit), Windows 8.1 (32bit), Windows 10 (32bit), Windows Server 2003 (64bit), Windows Vista (64bit), Windows Server 2008 (64bit), Windows 7 (64bit), Windows Server 2008 R2 (64bit), Windows 8 (64bit), Windows Server 2012 (64bit), Windows 8.1 (64bit), Windows Server 2012 R2 (64bit), Windows 10 (64bit), Windows Server 2016 (64bit), Windows Server 2019 (64bit) macOS 10.14/10.13/10.12, OS X 10.11/10.10/10.9/10.8, Mac OS X 10.7/10.6
Interface	Standard	Ethernet 100BASE-TX / 10BASE-T / 10BASE-T, USB2.0
	Optional	Ethernet 1000BASE-T

\*1 : The speed may be reduced due to the image quality adjustment. The printing speed may be reduced depending on the document. \*2 : For the latest information on the supported operating systems, please refer to our official website.

## Scan Function

Item	Description	
Type	Colour Scanner	
Scan Resolution	600 x 600 dpi, 400 x 400 dpi, 300 x 300 dpi, 200 x 200 dpi	
Scan Speed*1	B / W : 40 ppm, Colour : 20 ppm [Fuji Xerox Standard Paper (A4), 200dpi, to Folder.]	
Interface	Standard	Ethernet 100BASE-TX / 10BASE-T
	Optional	Ethernet 1000BASE-T

\*1 : The scanning speed varies depending on the documents.

## Fax Function

Item	Description
Original Size	Max : A4, Legal
Recording Paper Size	Min : A4, Legal A5
Transmission Time	2 seconds and more but fewer than 3 seconds*1
Transmission Mode	ITU-T G3
Applicable Lines	Telephone subscriber line, PBX, Fax communication (PSTN), maximum 1 port

\*1 : When A4 size document with approximately 700 characters is transmitted in standard image-quality (8 x 3.85 lines / mm) and in high-speed mode (28.8 kbps or faster, JBIG). Only indicates the time for transmitting the image information and does not include the communication control time. The total communication time will vary depending on the contents of the document, the type of machine receiving the fax, and line condition.

Note: Fax Model Only

## Duplex Automatic Document Feeder

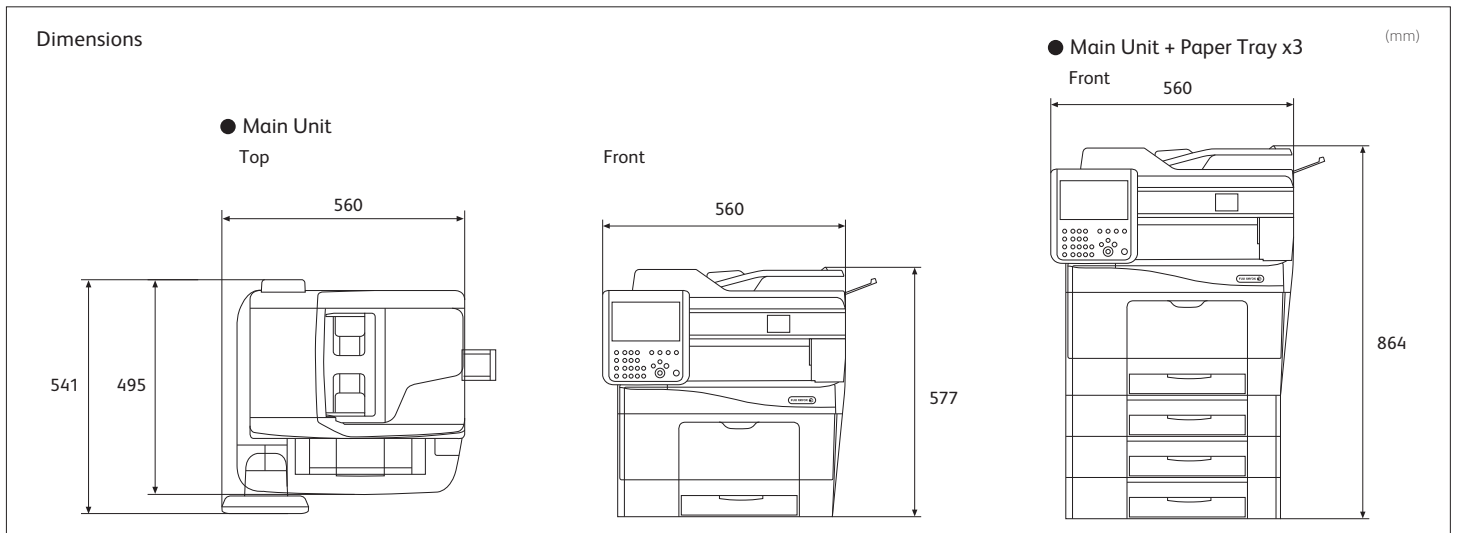
Item	Description
Original Size	Max : A4, Legal Min : A5*1
Paper Weight	50 to 125 gsm (In Duplex : 60 to 125 gsm)
Capacity*2	60 sheets
Feeding Speed (A4 Simplex)	40 ppm

\*1 : 139.7 x 139.7 mm for non-standard paper size.

\*2 : 80 gsm paper.

### Notes


- 1) If the storage media (such as hard disk drives) of the base unit fail, loss of received data, accumulated data, registered setting data, etc. may occur. In no event shall Fuji Xerox be liable for any damages whatsoever arising from loss of data.
- 2) Functional spare parts will be available for at least 7 years after the product is no longer manufactured.
- 3) The available model varies depending on the country/region. Please ask the sales representatives for details.





All product names and company names mentioned in this brochure are trademarks or registered trademarks of their respective companies. The product specifications, appearance and other details in this brochure are subject to change without notice for improvements.

**Reproduction Prohibitions** Please note that reproduction of the following is prohibited by law : Domestic and foreign currencies, government-issued securities, and national bonds and local bond certificates. Unused postage stamps, post cards, etc. Certificate stamps stipulated by law. Reproducing works forming the subject matter of copyright (literary works, musical works, paintings, engravings, maps, cinematographic works, drawings, photographic works, etc.) is not permitted unless the reproduction is for the purpose of personal use, family use or other similar uses within a limited circle.

 **For Your Safety**  
Before using the product, read the Instruction Manual carefully for proper use. Use the product with the power source and voltage specified. Be sure to establish ground connection. Otherwise, electronic shock may result in the case of a failure or short circuit.

**astragraphia**  
member of **ASTRA**



*Let's Be Friends* ☺



astragraphia document solution



@astragraphia\_ds



@astragraphiadocsol